



# MIK Windows

PVC • WOOD • WOOD/ALU • ALU

"A" Energy Class windows and doors that help you save the most



## Let's preserve energy. LET'S SAVE.

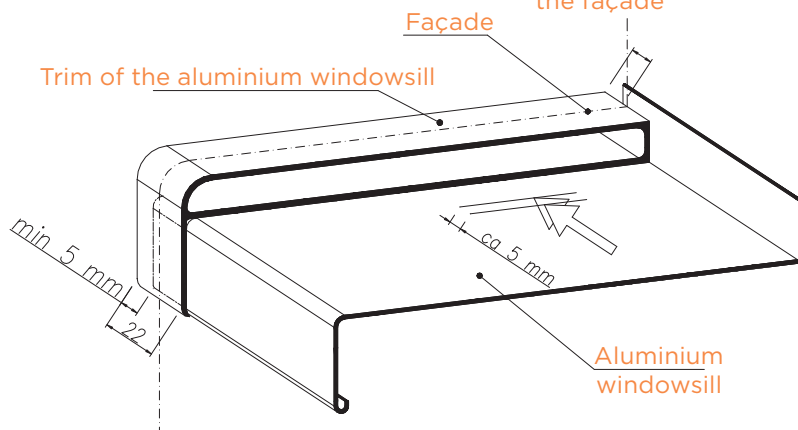
MIK windows saved 12,740 tons of CO<sub>2</sub> last year



## Instructions for installing aluminium windowsills

Detail of the aluminium windowsill

No more than 1/2 of the trim can be covered by the façade



The masking tape used to protect your windows and doors during installation should be used only to provide short term protection. Long term exposure to the elements may cause the paint to flake off when the tape is removed. We recommend using non-aggressive cleaning agents to clean painted windows and doors, namely cleaning agents that do not contain acid which could react with the varnish and cause it to flake off. Such events are not covered by your warranty. When installing aluminium windowsills, it is important to remember that the trim should not be flush with the windowsill. Clients should inform the installer of the façade of this both in the event that the latter is installing the façade around already installed windowsill, as well as when the façade installer installs the windowsill him or herself at the same time as the façade. If the trim is placed flush with the windowsill, tension may accumulate in the windowsill. This is not a defect of installation but the result of the façade installer's error. In case of high temperatures, the windowsill is likely to become loose. At 50 °C, a metre long aluminium windowsill stretches by 2 mm. The trim of the aluminium windowsill may be covered by 5 mm at the most and/or no more than half of the width of the trim. The installer of the façade should also make sure the insulation is not applying tension to the windowsill. This can lift the windowsill, thereby reducing its fall, which in turn may cause water to remain on the windowsill and water damage may occur. The windowsill should have a fall of 6°. We recommend clients remind the installer of the façade to ensure a permanent elastic bond between the windowsill and the façade, thus ensuring the contact is waterproof. Clients should also ask their installer to protect the windowsills before installing the façade. Façade emulsion is very aggressive and can cause paint to flake off from your aluminium windowsills. During the subsequent installation of stone windowsills, the contractor must be careful not to breach the window seal. In the event a seal is breached, leakage can occur that is not subject to the window seal warranty. On contact with the emulsion, windowsills made from natural or man-made stone may assume a mat finish, which is also not covered by your warranty. Please also bear in mind that the windowsills should be protected from any materials falling (e.g. façade glue, plasterwork, the final coating). Cleaning dried material may also damage your windowsills.

Cross section of the windowsill

